

ASK 8 150 40 2XB10.5 V2A (241 009)

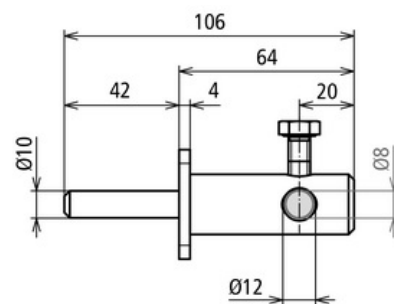
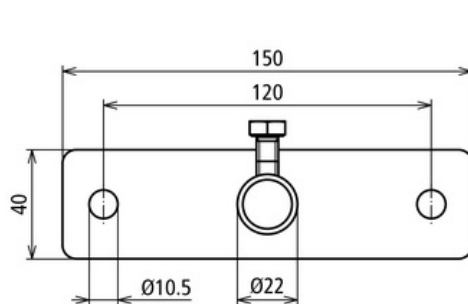


Figure without obligation

| Type | ASK 8 150 40 2XB10.5 V2A |
|---|--------------------------|
| Part No. | 241 009 |
| Material | StSt |
| Dimensions (l x w x d) | 150 x 40 x 6 mm |
| Support Rd | 8 mm |
| Hole Ø | 10.5 mm |
| Screw | ⚙ M8 x 20 mm |
| Material of screw | StSt |
| Weight | 376 g |
| Customs tariff number (Comb. Nomenclature EU) | 85389099 |
| GTIN | 4013364072985 |
| PU | 20 pc(s) |

We reserve the right to introduce changes in performance, configuration and technology, dimensions, weights and materials in the course of technical progress. The figures are shown without obligation.